

LT4B-D Reverse Type Starters

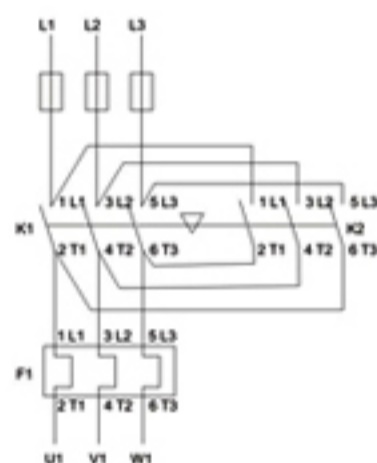
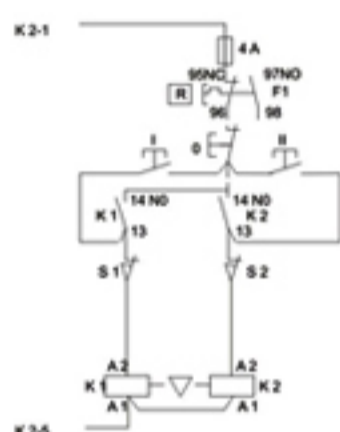


Documents corresponding to the product:

Standard EN 60947-1
EN 60947-4-1

The products are in accordance with the directives of EC "Low voltage directives (LVD) no. 73/23 EEC" and "Electromagnetic Compatibility Directives (EMC) no. 89/336 EEC".

scheme "Reverse"



The electromagnetic starters LT4 Dxx series are devices used for direct start, reverse start and protection of induction motors with short connected rotor. They are a combination of two contactors LT1 Dxx series supplied with two buttons "start" and one "stop" fabric cabled. They provide the unwinding of the motor in one of the directions with possibility for pushing the button "stop" and giving command from the other "start" for changing the motor winding directions. The two contactors are mechanically blocked and do not allow simultaneous start in both winding directions. The starters are offered "closed type in metal boxes providing the corresponding IP code from dust and moisture (IP54) as at mounting there should be provided protection of the device from short circuit through breakers or disconnectors. The starters are offered with mounted thermal protection which can be substituted according to the motor power. The choice of a suitable protection prevents motor's operation at unusual temperature conditions and guarantees maximum constant operation, increases the effectiveness and prolongs the term of exploitation. If necessary, at order the power supply operating voltage of the pneumatic starter can be changed.

Functions

- switching on alternating current three phase motors in one winding direction, switching off and change of the winding direction at giving a signal
- does not allow secondary unwarranted switching on of the starter at transitory lowering of the voltage
- protects the motor from overload in the range of the corresponding thermal protection
- remarkable with high reliability of current characteristics

Technical Data

* Rated voltage of the controlling voltage: 400V AC; 50/60Hz

Note: In case you need different controlling coils voltage of the starters you can turn to our regional representatives.

* Rated operating voltage: 690V

* Rated operating current range: from 7 to 93A AC

* Insulation voltage: >690V

* Surge voltage wear resistance: $\geq 6000v$

* Joining terminal: screw terminal

* Little power consumption and small dimensions

* Connecting:

- flexible or rigid conductors with or without cable terminal for joining to the consumer and section according to the motor power

- three by three inlets/outlets supplied with orifices for the cables

* Possibility for operation at higher frequency

* IP code: IP 44

* Mounting:

- mounting to a flat surface (wall) with bolts/screws

- mounting position: vertical gradient - maximum $\pm 5^\circ$

* Plastic: wear resistance of UV rays and non-flammable (self-extinguishing material)

* The metal body is covered with corrosion-proof paint

* Ambient temperature: -10°C to $+60^\circ\text{C}$

* Altitude: up to 2000m

Type designation (with a box)	Rated capacity kW				Rated current	Coil voltage (VAC)
	220V/230	380V/400V	415V	440V		
LT4B-D25A	11	15	15	15	25A	400
LT4B-D32A	15	18.5	18.5	18.5	32A	400
LT4B-D40A	18.5	22	22	22	40A	400
LT4B-D65A	30	55	55	55	65A	400
LT4B-D95A	37	75	75	75	95A	400

Type designation (with a box)	Overall dimensions (mm)		
	height	width	depth
LT4B-D25A	370	240	160
LT4B-D32A	370	240	160
LT4B-D40A	470	265	160
LT4B-D65A	470	265	160
LT4B-D95A	470	265	160