

## LT3-D & LT3B-D Star & Delta Type Starters



The electromagnetic starters LT3 Dxx series are devices designed for remote control, direct control and protection of induction motors coiled and operating according to a starter scheme "star/delta". They are a combination of three contactors LT1 Dxx series, time relay and a set of buttons "start" and "stop" fabric cabled. They provide the easy motor unwinding giving possibility for setting the time for unwinding in "star" as the time for switching between "star" and "delta" is fixed to 0.5 seconds.

The starters are offered on the market in two types:

- closed type LT3B-D-metal boxes providing the corresponding IP code from dust and moisture (IP54) as at mounting there should be provided protection of the device from short circuit through breakers or disconnectors

- open type LT3-D-for mounting in distribution boxes as at mounting there should be provided protection of the device from short circuit through breakers or disconnectors

The starters are offered on the market without mounted thermal protection which is purchased separately according to the motor capacity. The choice of a suitable protection which is purchased separately according to the motor capacity. The choice of a suitable protection prevents motor's operation at unusual temperature conditions and guarantees maximum constant operation, increases the effectiveness and prolongs the term of exploitation. If necessary, at client's order the power supply operating voltage of the pneumatic starter can be changed.

### Functions

- switching on/off alternating current three phase motors operating according to a scheme "star-delta"
- does not allow secondary unwarranted switching on of the starter at transitory lowering of the voltage
- protects the motor from overload in the range of the corresponding thermal protection
- indication of the operating condition through a valve indicator
- possibility for mounting of additional contacts (for the open type)
- remarkable with high reliability of current characteristics

### Technical Data

\* Rated voltage of the controlling voltage: 400V AC, 50/60 Hz

Note: In case you need different controlling coils voltage of the starters you can turn to our regional representatives.

\* Rated operating voltage: 690V

\* Rated operating current range: from 7 to 93A AC

\* Insulation voltage: >690V

\* Surge voltage wear resistance:  $\geq 6000$ v

\* Joining terminal: screw terminal

\* Little power consumption and small dimensions

\* Connecting:

- flexible or rigid conductors with or without cable terminal for joining to the consumer and section according to the motor power

- three by three inlets/outlets supplied with orifices for the cables

\* Possibility for operation at higher frequency

\* Mounting:

- mounting to a flat surface (wall) with bolts/screws

- mounting position: vertical gradient - maximum  $\pm 5^\circ$

\* Plastic: wear resistance of UV rays and non-flammable (self-extinguishing material)

\* The metal body is covered with corrosion-proof paint. Ambient temperature:  $-10^\circ\text{C} + 60^\circ\text{C}$

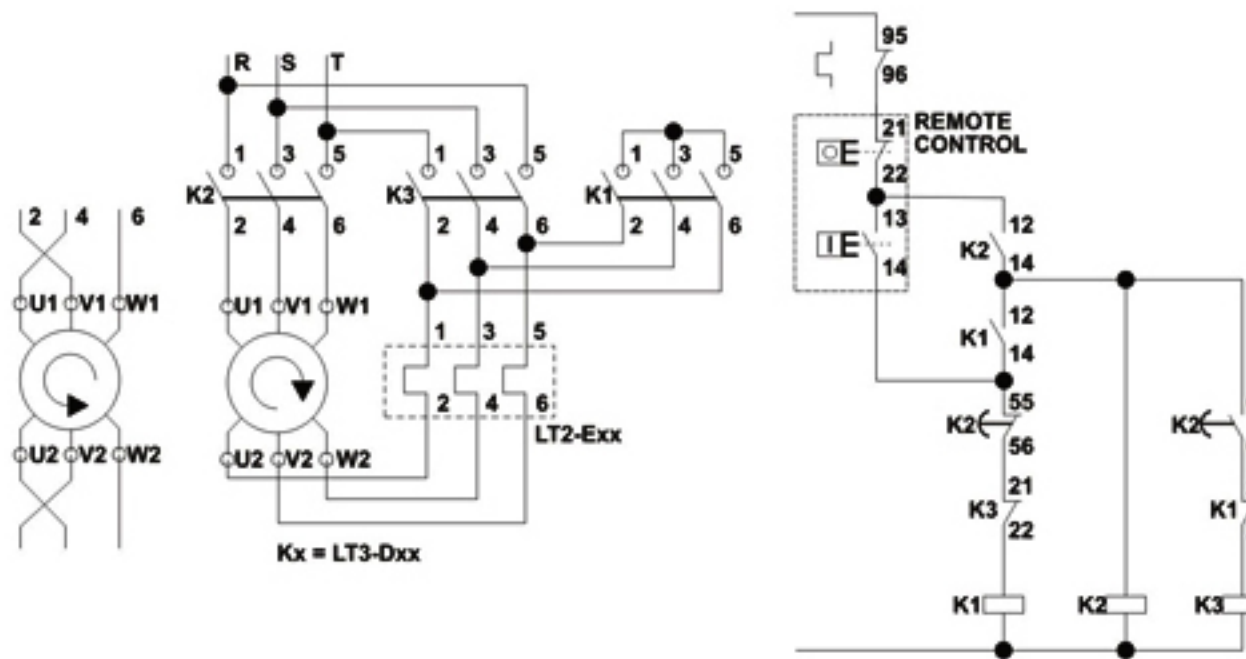
\* Altitude: up to 2000m



LT3-D



LT3B-D



Type designation (without a box)	Overall dimensions (mm)		
	height	width	depth
LT3-D25A	135	170	160
LT3-D32A	135	170	160
LT3-D40A	150	285	190
LT3-D65A	150	285	190
LT3-D95A	150	310	190

Type designation (without a box)	Rated capacity kW				Rated current	Coil voltage (VAC)
	220V/230	380V/400V	415V	440V		
LT3-D25A	11	15	15	15	25A	400
LT3-D32A	15	18.5	18.5	18.5	32A	400
LT3-D40A	18.5	22	22	22	40A	400
LT3-D65A	30	55	55	55	65A	400
LT3-D95A	37	75	75	75	95A	400

Note: It is necessary that thermal protection with suitable range is mounted to protect the controlled motor. The shown values of magnetic starters are for normal regimes for motor control, for hard operation regimes are chosen starters which correspond to the current rating of the motor

Type designation (without a box)	Overall dimensions (mm)		
	height	width	depth
LT3B-D25A	370	240	160
LT3B-D32A	370	240	160
LT3B-D40A	470	265	160
LT3B-D65A	470	265	160
LT3B-D95A	470	265	160

Type designation (without a box)	Rated capacity kW				Rated current	Coil voltage (VAC)
	220V/230	380V/400V	415V	440V		
LT3B-D25A	11	15	15	15	25A	400
LT3B-D32A	15	18.5	18.5	18.5	32A	400
LT3B-D40A	18.5	22	22	22	40A	400
LT3B-D65A	30	55	55	55	65A	400
LT3B-D95A	37	75	75	75	95A	400

Note: It is necessary that thermal protection with suitable range is mounted to protect the controlled motor. The shown values of magnetic starters are for normal regimes for motor control, for hard operation regimes are chosen starters which correspond to the current rating of the motor