

LT5 Electromagnetic Starters



Documents corresponding to the product:

Standard EN 60947-1;
EN 60947-4-1

The products are in accordance with the directives of EC "Low voltage directives (LVD) no. 73/23 EEC" and "Electromagnetic Compatibility Directives (EMC) no. 89/336 EEC".

The electromagnetic starters LT 5 Dxx series are devices designed for remote control, direct control and protection of induction motors or other electrical consumers. They are a combination of contactors LT 1 Dxx series and thermal protection LT2 Exx fabric cabled. The starters are offered on the market in metal or plastic boxes with the corresponding IP code from dust and moisture. At mounting there should be provided protection of the device from short circuit through breakers or disconnectors. If necessary, at client's order the fabric mounted thermal protection in the pneumatic starter can be substituted. The choice of a suitable protection prevents motor's operation at unusual temperature conditions and guarantees maximum constant operation, increases the effectiveness and prolongs the term of exploitation.

Functions

- switching on/off alternating current consumers
- does not allow secondary unwarranted switching on of the starter at transitory lowering of the voltage
- protects the motor from overload in the range of the corresponding thermal protection
- remarkable with high reliability of current characteristics

Technical Data

* Rated voltage of the controlling voltage: 230/400V AC: 50/60 Hz

Note: In case you need different controlling coils voltage of the starters you can turn to our regional representatives.

* Rated operating voltage: 690V

* Rated operating current range: from 7 to 93 A AC

* Insulation voltage: 690V

* Surge voltage wear resistance: $\geq 6000V$

* Joining terminal: screw terminal

* Little power consumption and small dimensions

* Connecting:

- flexible or rigid conductors with or without cable terminal for joining to the consumer and section according to the motor power

- two by two inlets/outlets supplied with orifices for the cables

* Possibility for range adjustment of the protection activating

* Ip code: IP 44

* Possibility for operation at higher frequency

* Mounting:

- mounting to a flat surface (wall) with bolts, screws

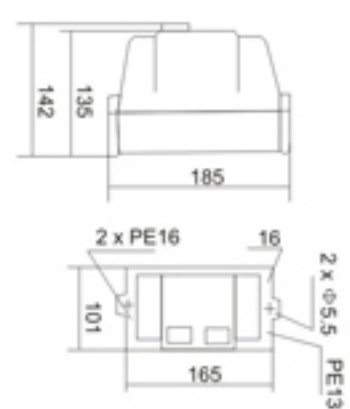
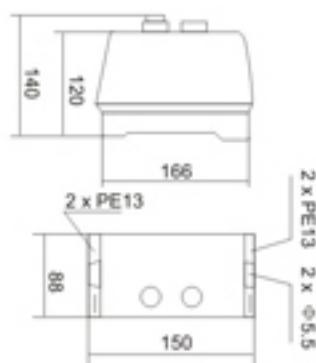
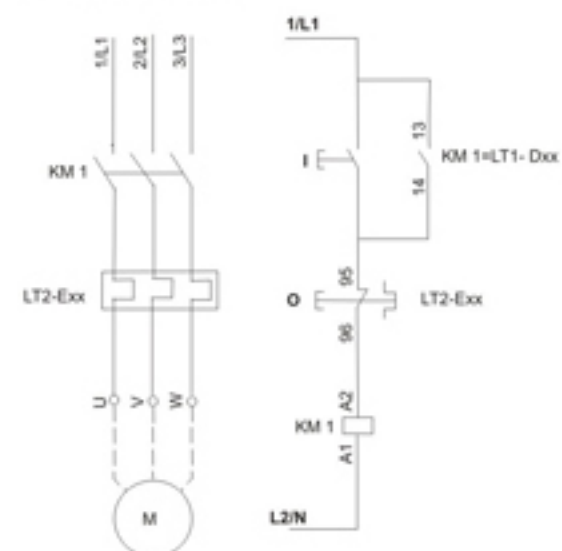
- mounting position: vertical gradient maximum $\pm 5^\circ$

* Plastic: wear resistance of UV rays and nonflammable (self-extinguishing material)

* Metal corpus: corrosion-proof coating

* Ambient temperature: $-10^\circ C + 60^\circ C$

* Altitude: up to 2000m



Type	Rated capacity of motors 50/60Hz AC-3 category			Rated current(A)	Thermal relay adjustment range	Coil voltage (V)	Package/Box
	220V/230V	380/400V	415V/440V				
LT5 D093	2.2	4	4	9	7...10A	230	1/16
						400	1/16
LT5 D123	3	5.5	5.5	12	9...13A	230	1/16
						400	1/16
LT5 D185	4	7.5	9	18	12...18A	230	1/16
						400	1/16

Remark: Under request the thermal relay will be replaced

Type	Rated capacity of motors 50/60Hz AC-3 category			Rated current(A)	Thermal relay adjustment range	Coil voltage (V)	Package/Box
	220V/230V	380/400V	415V/440V				
LT5 D255	5.5	11	11	25	17...25A	230	1/16
						400	1/16
LT5 D325	7.5	15	15	32	23...32A	230	1/16
						400	1/16

Remark: Under request the thermal relay will be replaced

Type	Rated capacity of motors 50/60Hz AC-3 category			Rated current(A)	Thermal relay adjustment range	Coil voltage (V)	Package/Box
	220V/230V	380/400V	415V/440V				
LT5 D405	11	18.5	22	40	30...40A	230	1/4
						400	1/4
LT5 D655	18.5	30	37	65	48...65A	230	1/4
						400	1/4
LT5 D955	25	45	45	95	80...93A	230	1/4
						400	1/4