

LT1 Contactor Accessory



Documents corresponding to the product:
Standard EN 60 947-4-1

The products are in accordance with the directives of EC "Low voltage directives (LVD) no. 73/23 EEC" and "Electromagnetic Compatibility Directives (EMC) no. 89/336 EEC".



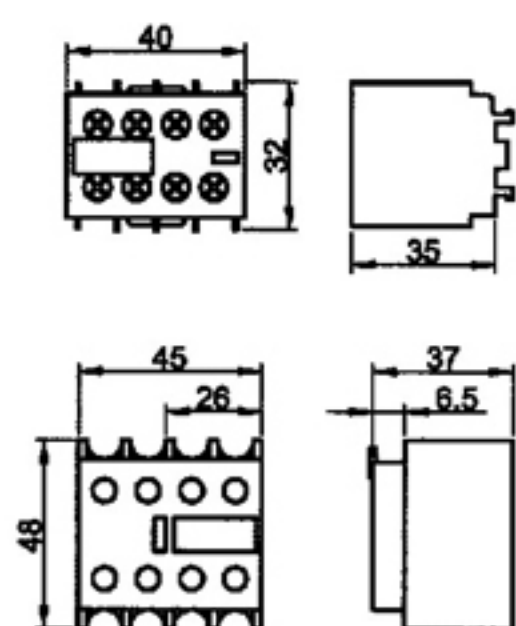
UP Auxiliary Contacts LT01-DN At necessity the element provide auxiliary number of contacts.They are specially designed for mounting the movable part of the magnetic core of the contactors LT 1K/D Series.

Function

- Extending the number of the operative contactors up to 4 in different Combinations
- Switches on simultaneously with the other contact system of the contactor

Technical data

- *Operation class:AC3
- * Insulation voltage:690V
- * Joining terminal:screw terminal
- * Connecting:
 - flexible conductors with or without cable terminal
 - rigid conductors
- * Mounting:
 - on the movable cover of the contactor through pinching
 - mounting position:vertical gradient-maximum $\pm 5^\circ$
- * Plastic:wear resistance of UV rays and non-flammable(self-extinguishing material)



Type	LT01-DN02	LT01-DN11	LT01-DN20	LT01-DN22	LT01-DN-40	LT01-DN04	LT01-KN11	LA1-KN22
Number of contacts	2NC	NO+NC	2NO	2NO+2NC	4NO	4NC	NO+NC	2NO+2NC

Side Auxiliary Contacts LT03-DN11(DN20)

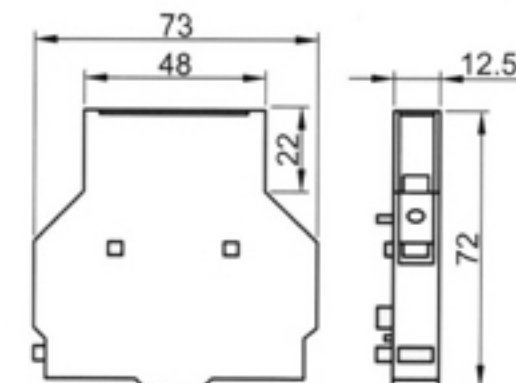
Providing on necessity additional number of plug points and are mounted sideward to the movable part of the magnetic cores of contactors of the series LT1 D. Variants with two additional plug points NO and NC are offered.

Functions

- Expanding the number of the operational plug points
- Switching on simultaneously with the rest of the contact system of the contactor

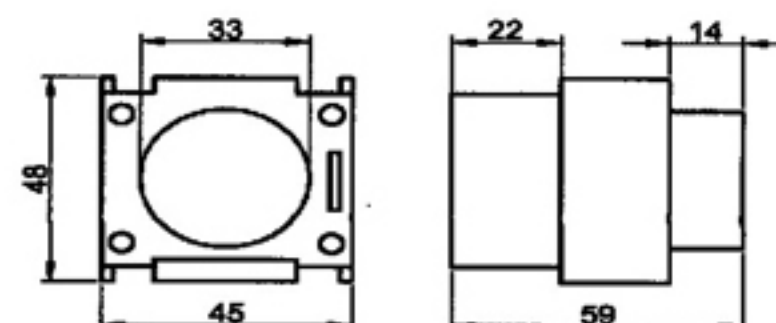
Technical data

- *Environment operational regime:AC 3
- *Insulation voltage:690V
- *Double connector:screws connector
- *Connection:
 - flexible conductors with or without cable end
 - solid conductors
- *Mounting method:
 - mounting position -sideward to the contactor
- *Plastic:resistant to UV and non-burning(Self-extinguishing material)



Time Delay Contact Block LT02-Dxx

LT02-Dxx is designed to set time intervals from 0.1 to 180s in different control schemes.It is used most frequently in combination with contactors from LT1-Dxx series to form"star/delta"starters for electrical motor control.as it provides the necessary time for motor winding.



Type	LT02-DT0 LT02-DR0	LT02-DT2 LT02-DR2	LT02-DT4 LT02-DR4
Number of contacts	NO+NC	NO+NC	NO+NC
Time delay	0.1-3s	0.1-30s	10-180s