

HCJ19 Capacitor Contactor



Documents corresponding to the product:
Standard
EN60947-1 EN 60947-4-1

The products are in accordance with the directives of EC "Low voltage directives (LVD) no. 73/23 EEC" and "Electromagnetic Compatibility Directives (EMC) no. 89/336 EEC".

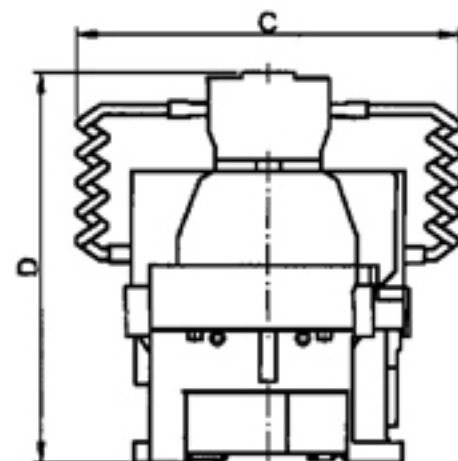
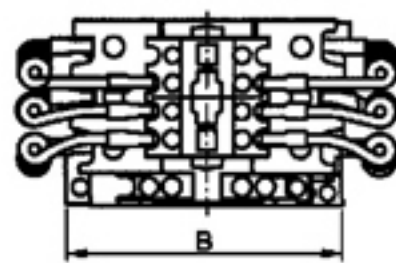
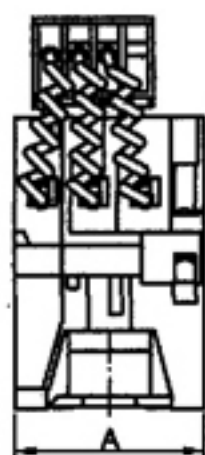
The AC contactors HCJ19-43 are specially designed electrical devices for commutation of three phase capacitors used of power correction. They are alternating current contactor LT1 Dxx with mounted a group for peak current lowering from the transitional process of the capacitor's switching on/off. This group is a combination of current limiting resistors, switched on in the beginning of the transitional process (switching on/off capacitor group). The contactors are suitable for capacitors with rate up to 50 kVAr.

Functions

- switching on/off of capacitors for reactive power compensation
- making of systems for compensation of the energy reactive component
- lowering of the peak transitional currents at switching on/off of the capacitor
- remarkable with high reliability of current characteristics
- reliable separation of power contacts
- secured part of the contactor against consumer contact

Technical Data

- * Operation class: AC6
- * Rated operating voltage of the controlling coil: 230V AC; 50/60Hz
- * Rated operating voltage of the power circuit: up to 690V AC
- * Insulation voltage: 690V
- * Surge voltage wear resistance: >8000V
- * Limits of the controlling coil voltage: from 0.8 to 1.15U_c
- * Number of the contacts: 3 No power contacts +1NO operative
- * Joining terminal: screw terminal
- * Connecting:
 - flexible conductors with or without cable terminal
 - rigid conductors
- * Electrical wear resistance (number of cycles): 300000
- * Mechanical wear resistance (number of cycles): 1000000
- * Number of cycles (switching on) per hour: up to 600
- * Pole leaking power: up to 13W
- * Mounting:
 - on DIN-rail or
 - with bolts to the surface
 - mounting position: vertical gradient - maximum $\pm 5^\circ$
- * Plastic: wear resistance of UV rays and non-flammable (self-extinguishing material)
- * Ambient temperature: -10°C +60 °C
- * Altitude: up to 2000m



Type	A(mm)	B(mm)	C(mm)	D(mm)
HCJ19-32 DPK	56	74	130	150
HCJ19-40 DPK	75	127	180	150
HCJ19-65 DPK	85	127	200	157
HCJ19-95 DPK	85	127	200	157

Type number	Rated current(A)	Rated capacity of the consumer(kVAr)		Coil voltage(V)	Package/Box (pcs)
		400/415v	690v		
HCJ19-32 DPK	32	8	12.5	230	1/20
HCJ19-32 DPK	32	8	12.5	400	1/20
HCJ19-40 DPK	40	12.5	15	230	1/16
HCJ19-40 DPK	40	12.5	15	400	1/16
HCJ19-65 DPK	65	25	30	230	1/16
HCJ19-65 DPK	65	25	30	400	1/16
HCJ19-95 DPK	95	30	36	230	1/16
HCJ19-95 DPK	95	30	36	400	1/16
HCJ19-115 DPK	115	35	40	230	1/4
HCJ19-150 DPK	150	40	50	230	1/4
HCJ19-170 DPK	170	50	60	230	1/4