

HR17 series fuse type Isolating switch



Application

HR17 Series Fuse Type Isolating Switch is of state of the art in the middle 1990s in the world. Its rated frequency is 50Hz(or 60Hz), rated insulation voltage 800V, rated working voltage up to 690V, and rated working current up to 630A. It can be used in the distribution circuit of high short-circuit current and the motor circuit, serving for power switch, isolating switch and emergency switch as well as circuit protector. Generally, it cannot be directly used for switching of single motor and shall be used indoors.

Normal Working Conditions

- 1.The ambient air temperature shall not exceed +40°C. The average value shall not exceed +35°C within 24 hours. The lower-limit of ambient air temperature is -5°C.
- 2.The height above sea level for installing the switch shall not exceed 2000m.
- 3.When at max. temperature of +40°C, relative air humidity shall not exceed 50%. Higher relative humidity such as 90% at the temperature of 20°C, is allowed under lower temperature. Special measure shall be taken against occasional condensation caused by temp change.
- 4.The pollution grade of environment for installing switch is 3.
- 5.The switch shall be vertically installed in the place without vibration or shock.

Structural Features

HR17Series Fuse Type Isolating Switch is composed of four parts: base(with contact). upper and lower electric shock shields, switch cover (with fuse body). Both mounting base and switch cover are made of plastic and designed with electric shock shield. Therefore, this series switch features compact structure, light weight, reliable operation, safety and easy in installation, and beautiful appearance, etc.

Technical Data

Applicable fuse size	00			1			2			3		
Power supply frequency	AC 50Hz											
Rated voltage (V)	690	500	400	690	500	400	690	500	400	690	500	400
Rated insulation voltage	800											
Rated working voltage(V)	160			250			400			630		
Conventional closed heating current(A)	160			250			400			630		
Using category	AC-21B (690V)			AC-21B (690V)			AC-21B (690V)			AC-21B (690V)		
	AC-22B (500V)			AC-22B (500V)			AC-22B (500V)			AC-22B (500V)		
	AC-23B (400V)			AC-23B (400V)			AC-23B (400V)			AC-23B (400V)		
Rated making capacity	725V 240A			725V 375A			725V 600A			725V 945A		
	525V 480A			525V 750A			525V 1200A			525V 1890A		
	420V 1600			420V 2500A			420V 4000A			420V 6300A		
Rated breaking capacity	725V 240A			725V 375A			725V 600A			725V 945A		
	525V 480A			525V 750A			525V 1200A			525V 1890A		
	420V 1280A			420V 2000A			420V 3200A			420V 5040A		
Rated limit short-circuit Current (KA)	50	100	100	50	100	100	50	100	100	50	100	100
Current (KA)	12			23			34			48		

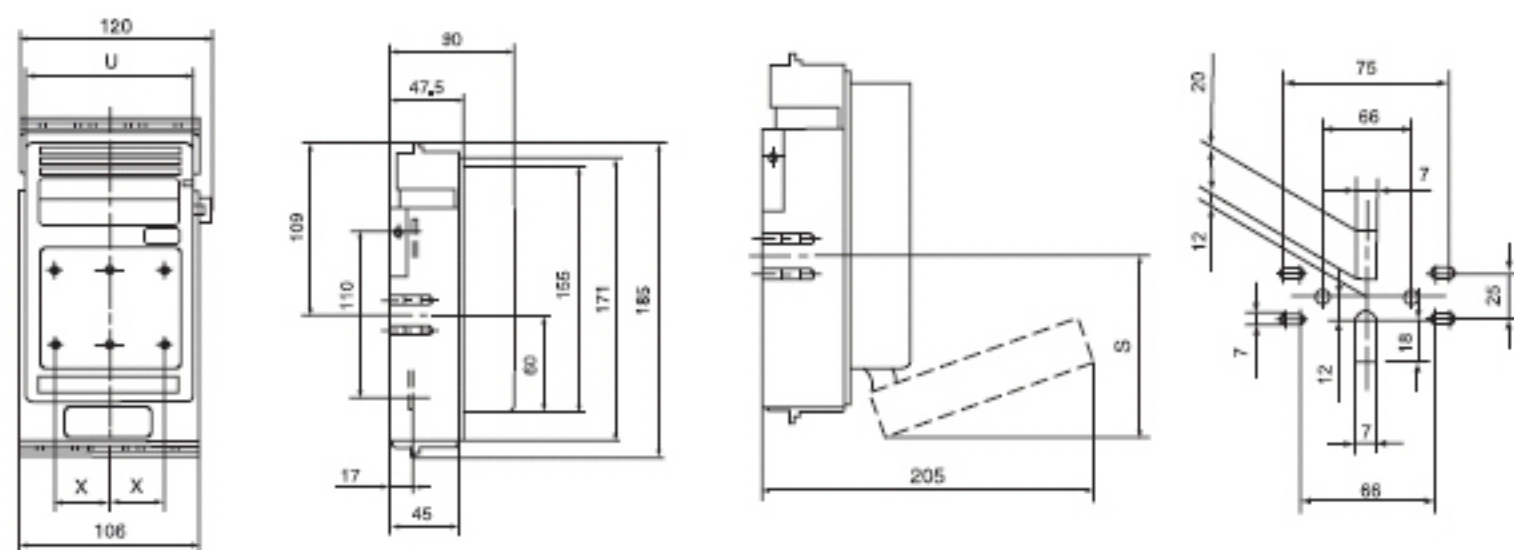
Application Between Switch and Fuse

Conventional free air heating current(A)	Fuse size	Applicable fuse body current value(A)
160	00	4, 6, 10, 16, 20, 25, 32, 35, 40, 50, 63, 80, 100, 125, 160
250	1	80, 100, 125, 160, 200, 224, 250
400	2	125, 160, 200, 224, 250, 300, 315, 355, 400
630	3	315, 355, 400, 425, 500, 630

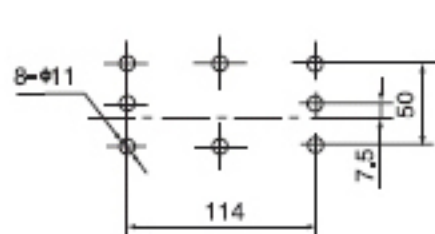
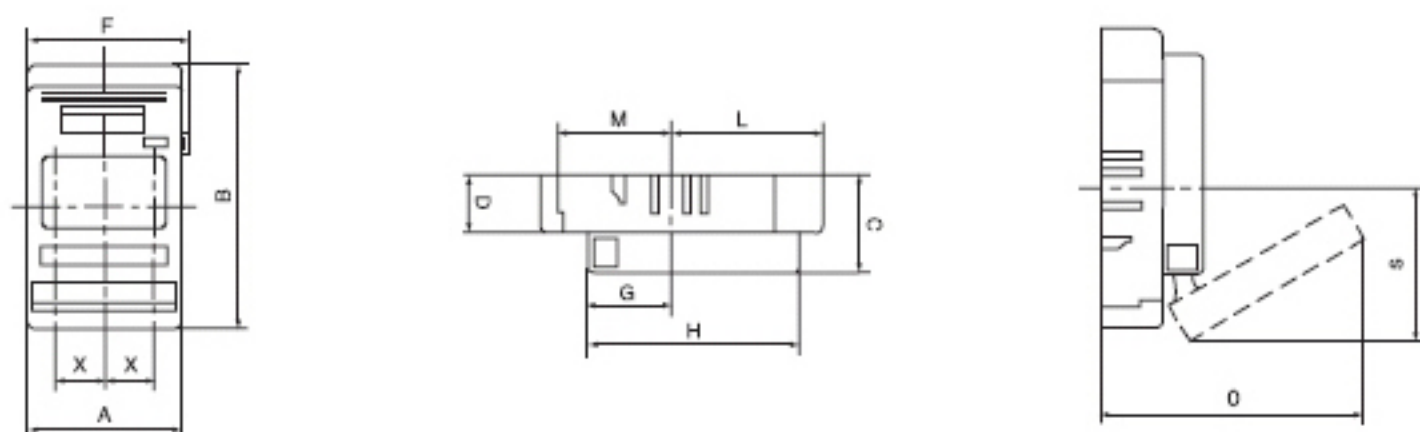
Note :When the switch is used in the motor circuit, the rated current of fuse is allowed to larger than the rated working current of switch.

Outline and Installation Size

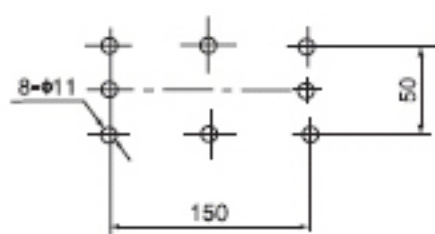
	A	B	C	D	E	F	G	H	K	L	M	O	P	Q
HR17-160	106	185	90	45	47.5	120	60	155	109	181	103	205	110	17
HR17-250	185	268	120	66	-	196	199	84	199	105	115	294	183	20
HR17-400	253	333	145	80	-	262	224	92	249	124	131	339	211	25
HR17-630	253	333	145	94.5	-	262	98.5	259	48	127.5	139.5	360	211	28



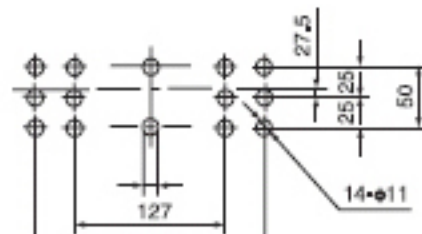
HR17-160



HR17-250A



HR17-400, 630A



HR17-630A