


HG3B Fuse Disconnecting Switch(3p break simultaneously)

NH fuse disconnecting switches

Features

For NT and NH fuse links

- According to EN60947-1 and EN60947-3
- Rated voltage:690V AC/440V DC
- Rated currents:160A,250A,400A/630A
- Rated insulation voltage:size NH00 to NH3 AC 750V
- Rated short-circuit current:50kA AC eff,25kA DC eff
- Degree of protection IP 20 with operational status,Ip 10 with open slewing equipment.

Product photo	For NH-insert type	In A	mm2 section of wire mm2	Structure	Order No.	Fig.	Weight(g)
	NH- fuse disconnecting switches 3 phases bread simultaneously ,upper/lower and connection.						
	NH00	160	70	Pressure plate connecting clamp;screw M8	HG3B-160T	Fig.2.2	12500
	NH1	250	120	Screw M10	HG3B-250T	Fig.2.4	52000
	NH2	400	240	Screw M10	HG3B-400T	Fig.2.4	63000
	NH3	630	2×240	Screw M12	HG3B-630T	Fig.2.4	70000
	NH-fuse disconnecting switches single-phase breaking simultaneously ,upper/lower and connection						
	NH00	160	10-95	Enclosed construction,frame terminal	HG3B-160F	Fig.2.1	24500
	NH1	250	120	Screw M10	HG3B-250F	Fig.2.3	52000
	NH2	400	240	Screw M10	HG3B-400F	Fig.2.3	63000
	NH3	630	2×240	Screw M12	HG3B-630F	Fig.2.3	70000

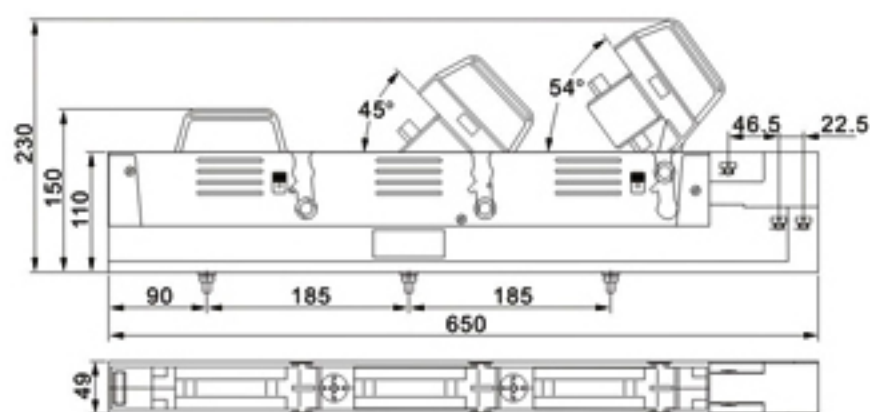


Fig.2.1

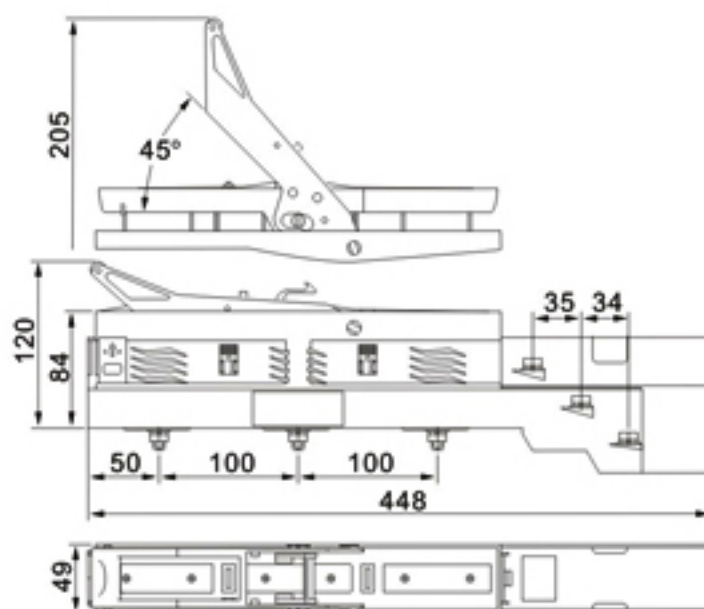


Fig.2.2

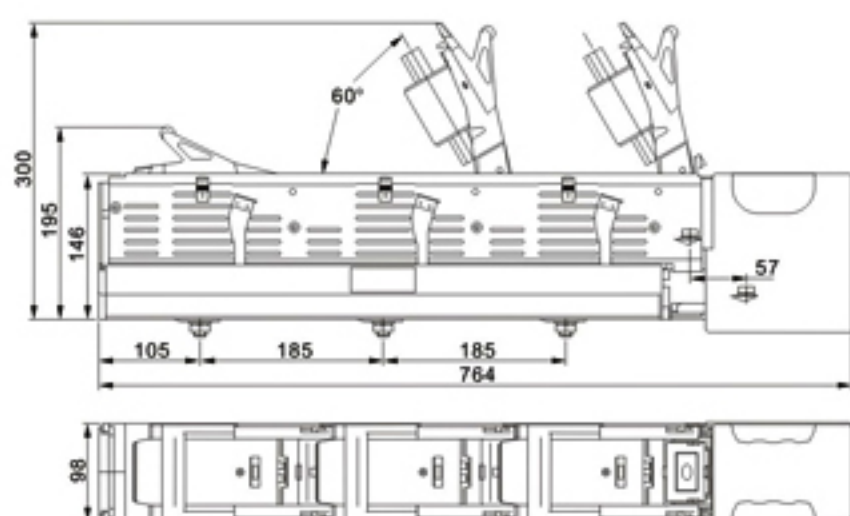


Fig.2.3

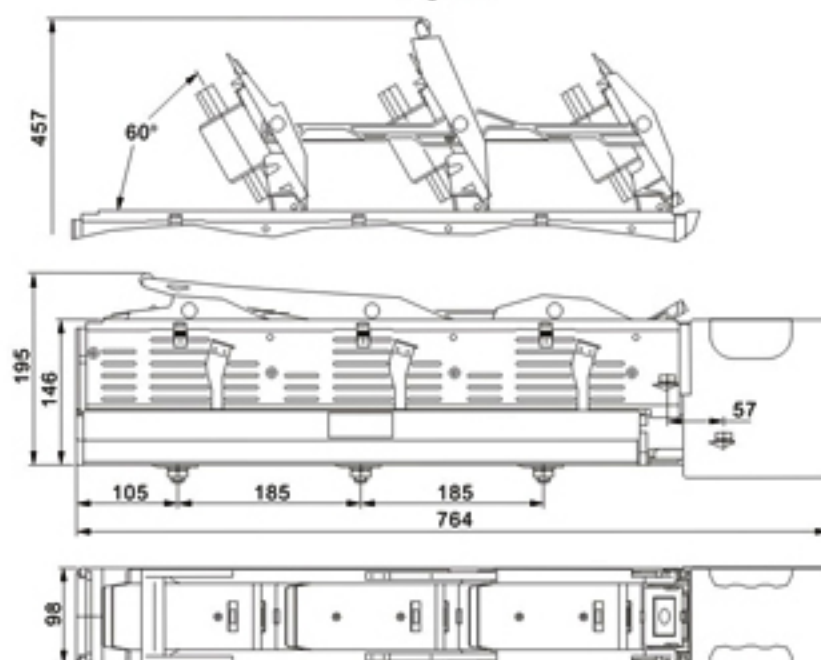


Fig.2.4