

HD1-125,HD1-250 Isolating Switch



Construction and Feature

- Capable of switch electric circuit with load
- Provide function of isolation
- Used as main switch for household and similar installation

Technical Data

HD1-125

- Pole No.:1,2,3,4
- Rated current(A):16,25,40,63,80,100,125
- Rated voltage:230/400V AC
- Rated frequency:50/60hz
- Rated short-circuit making capacity:3000A
- Rated withstand current:1800A within 1 sec
- Electro-mechanical endurance:10000 cycles
- Connection capacity:Rigid conductor 35mm²
- Connection terminal: Pillar terminal with clamp
- Installation:

On symmetrical DIN rail 35mm

Panel mounting



HD1-250

- Pole No.:1,2,3,4
- Rated current(A):125、160、250
- Rated voltage:230/400VAC
- Rated frequency:50/60hz
- Rated short-circuit making capacity:3000A
- Rated withstand current:3000A within 1 sec
- Electro-mechanical endurance:10000 cycles
- Connection capacity:Rigid conductor 50mm²and up
- Connection terminal:Extensional busbar
- Installation:

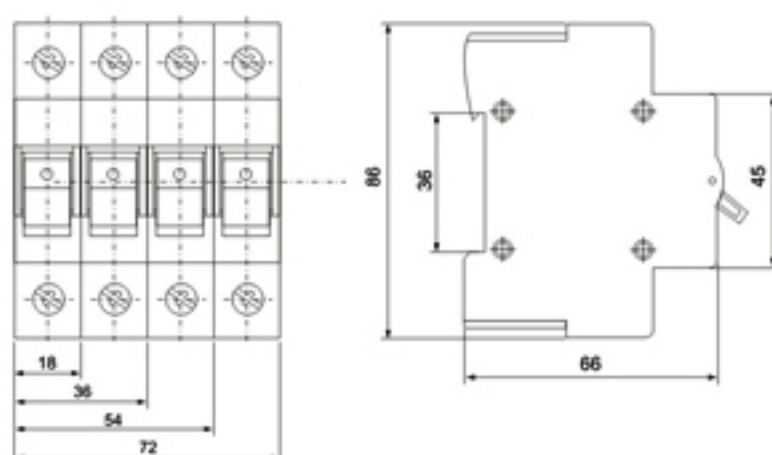
On symmetrical DIN rail 35mm

Panel mounting



Overall & Installation Dimensions

HD1-125



HD1-250

