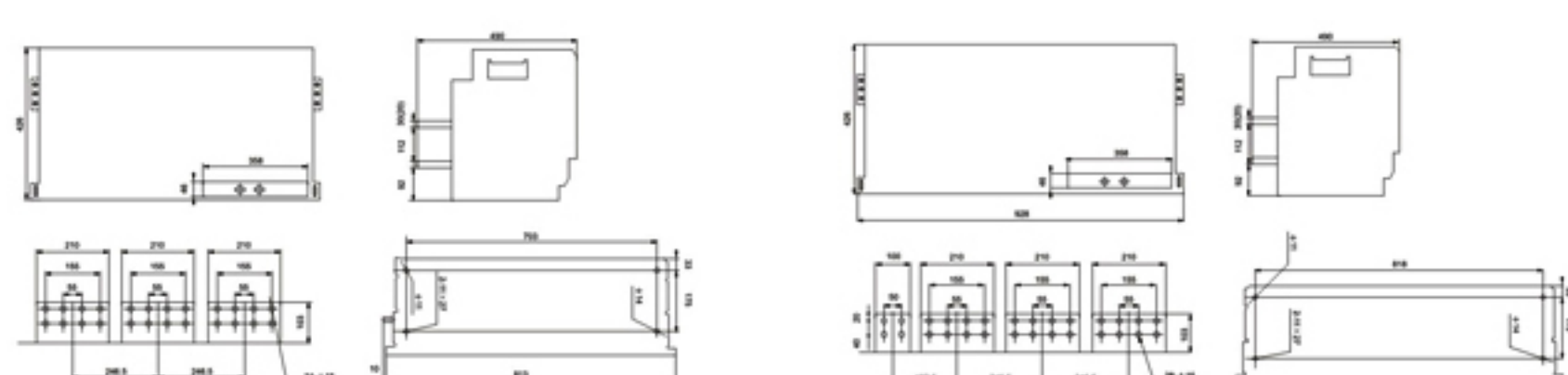
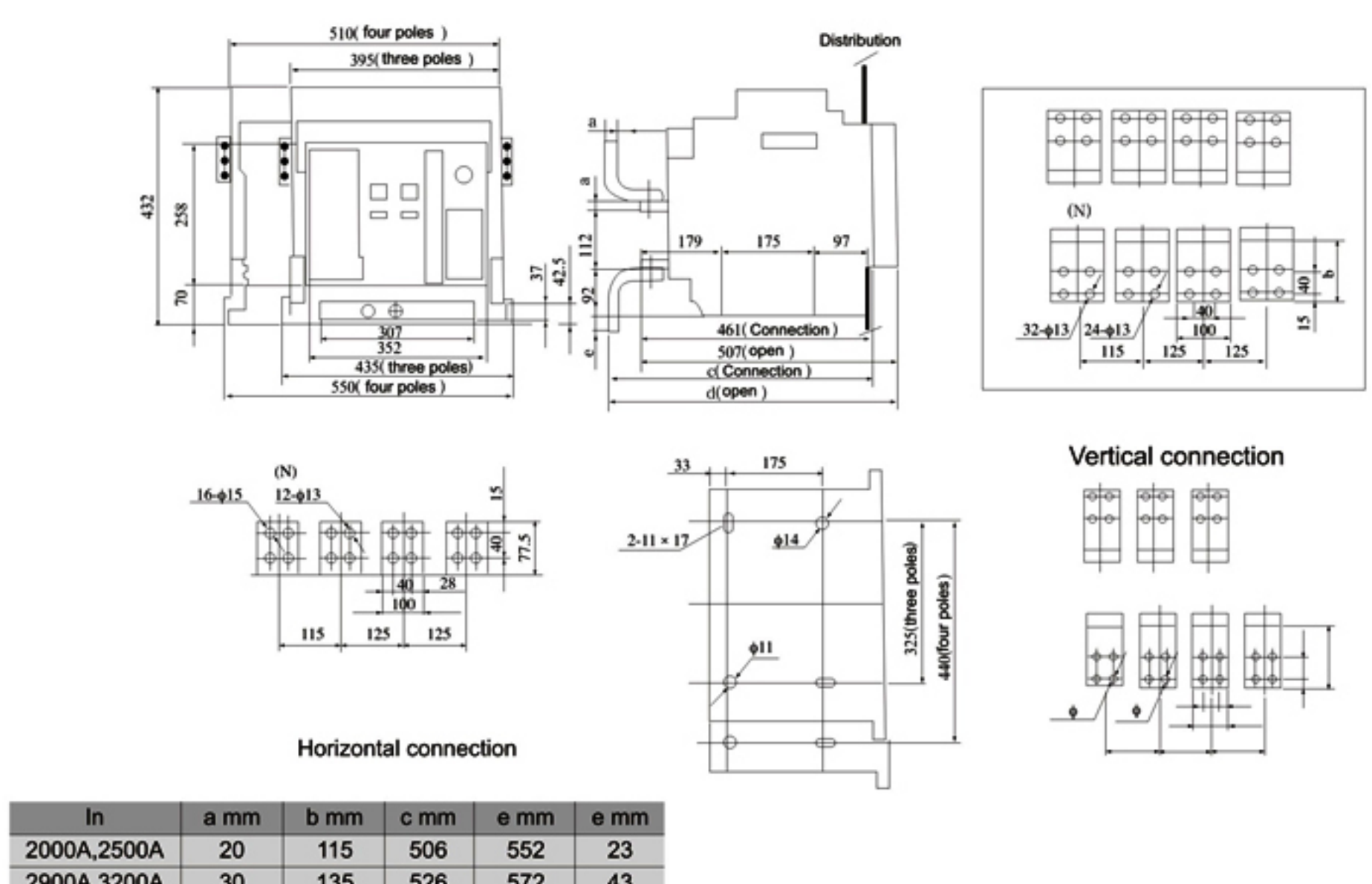
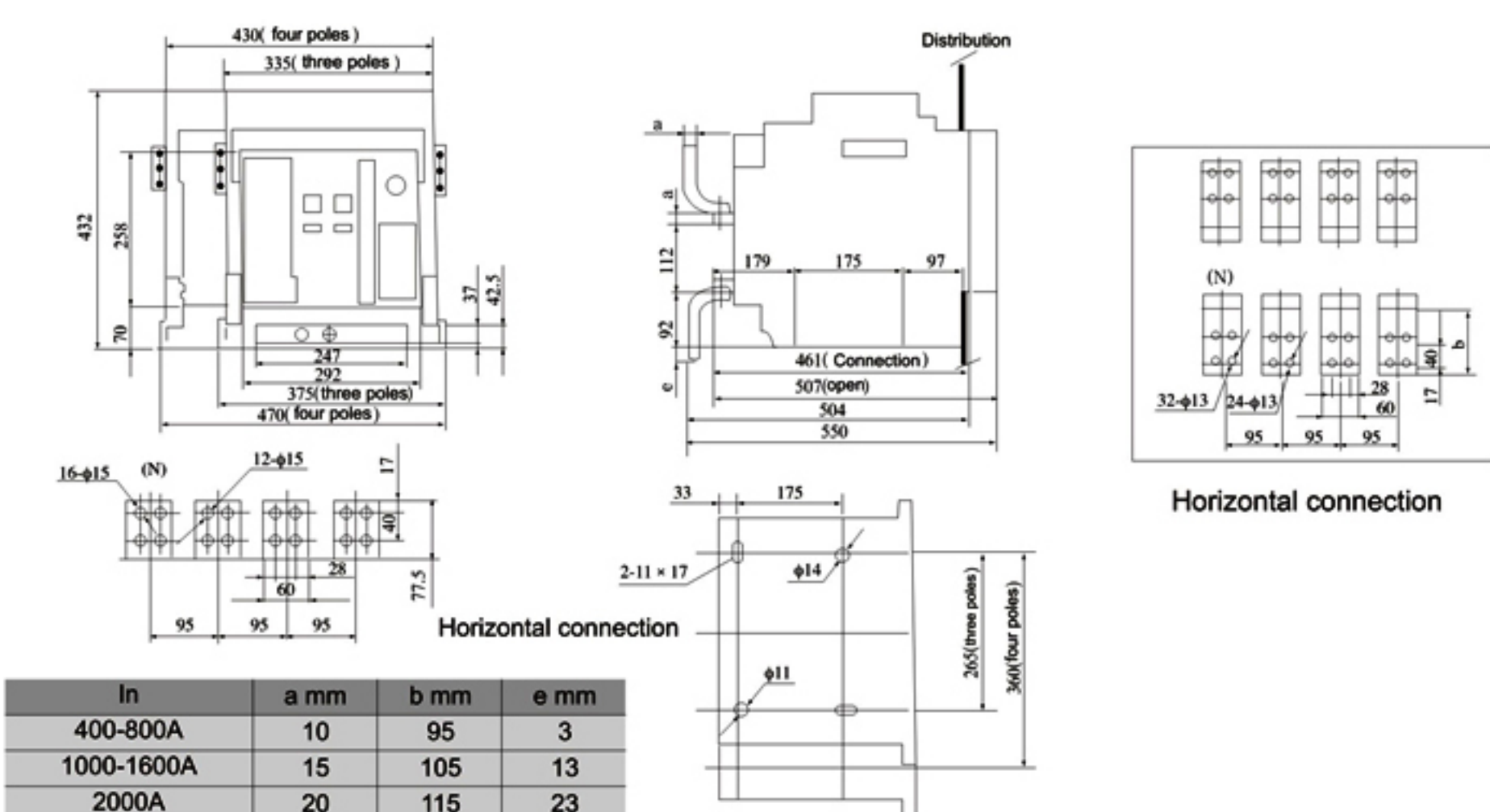
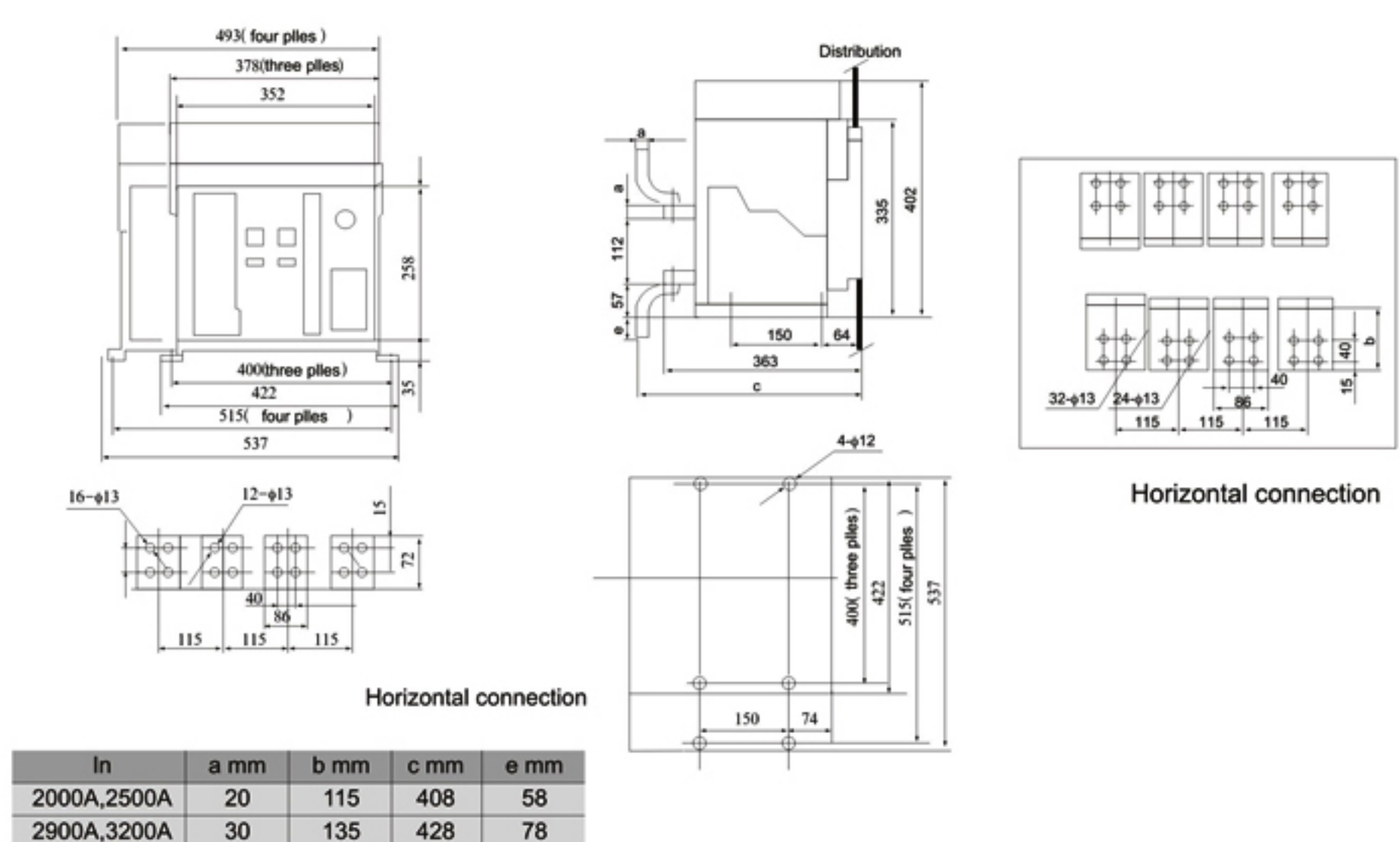
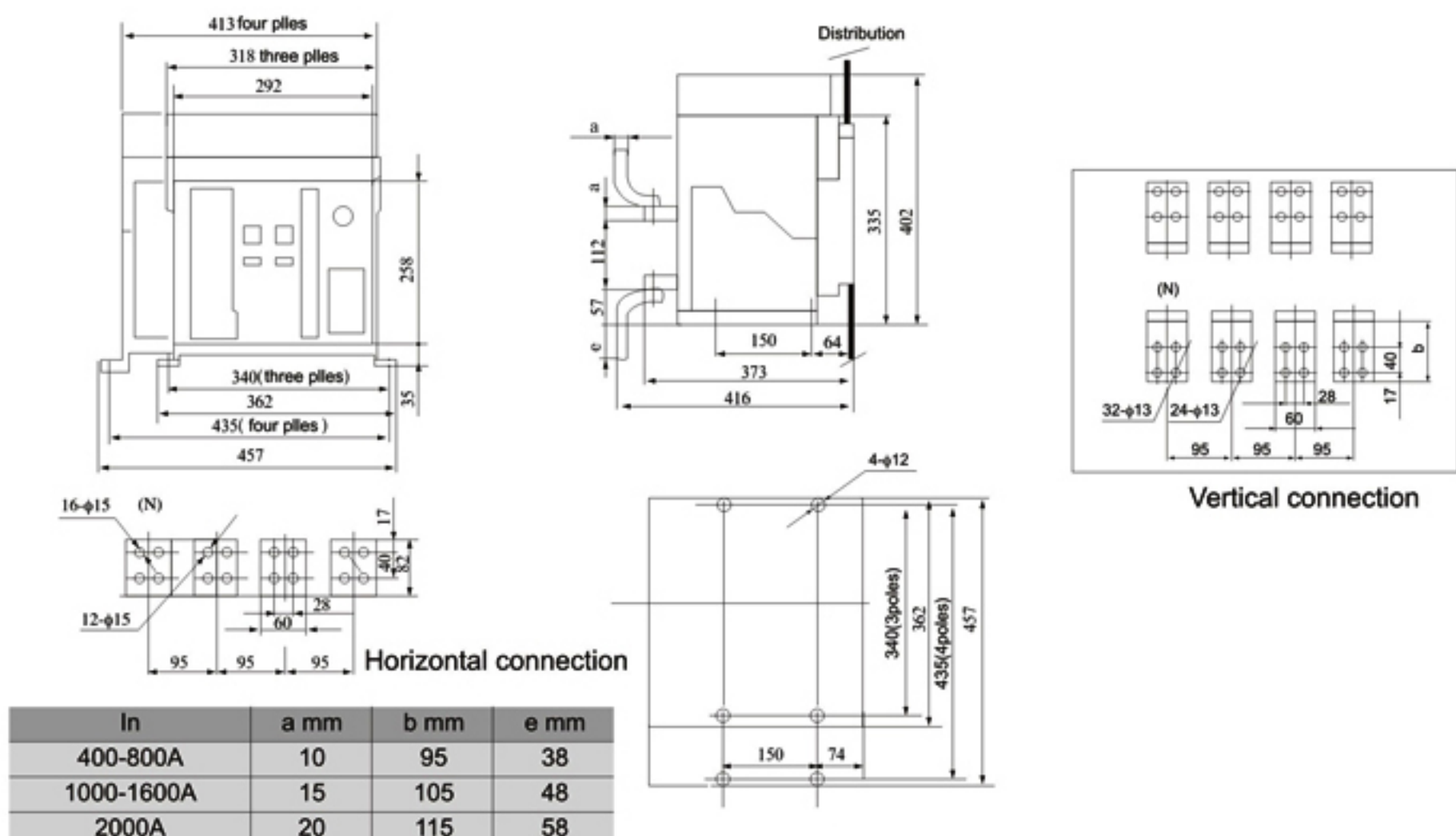
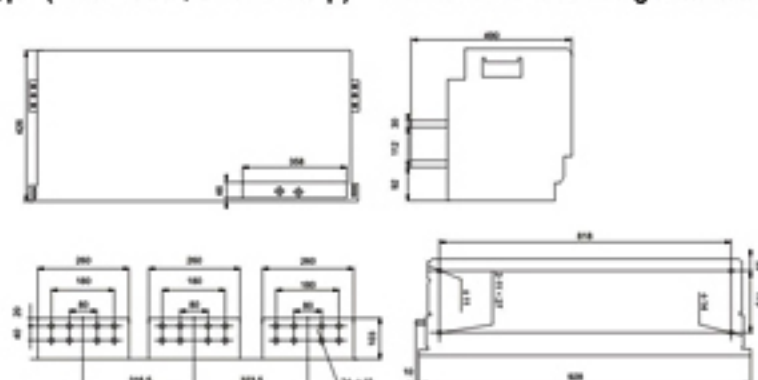


HW1 Moulded Case Circuit Breaker

Type		HW1-2000	HW1-3200	HW1-4000	HW1-6300
Products Photos					
Rated ultimate short circuit	400V	80	100	100	120
breaking capacity Icu(KA)	690V	50	65	65	80
Rated operation short circuit	400V	50	80	80	100
breaking capacity Ics (KA)	690V	40	50	50	70
Rated short time withstand current Icw(KA)1s		50	65	65	100
Rated current In(A)		400,630,800,1000,1250,1600,2000	2000,2500,2900,3200	3200,3900,4000	4000,5000,6000,63000
Number of poles	3-Pole	●	●	●	●
	4-Pole	●	●	●	●
Rated voltage Ue(v)		400,690	400,690	400,690	400,690
Rated insulation voltage Ui(V)		1000V	1000V	1000V	1000V
Rated current of N-Pole In (A)		50%In,100%In	50%In,100%In	50%In,100%In	50%In,100%In
Fix-disconnection time		23~32ms	23~32ms	23~32ms	23~32ms
Intelligent controller	Standard type (M)	●	●	●	●
	Communication type(H)	●	●	●	●
Operation performance	Electric life time		500	500	500
	Mechanical life time	Non-maintenance	2500	2500	2000
		Maintenance	10000	10000	8000
Installation type	Horizontal	Horizontal	●	●	●
	Vertical	Vertical	●	●	●
	Fried	Fried	0	0	0
	Drawer	Drawer	0	0	0



Overall and mounting dimension for draw out type (HW1-4000,5000 3+3/3p)



Overall and mounting dimension for draw out type (HW1-6300,3+3/3p)