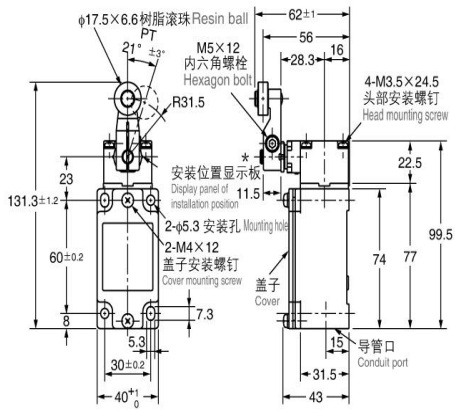
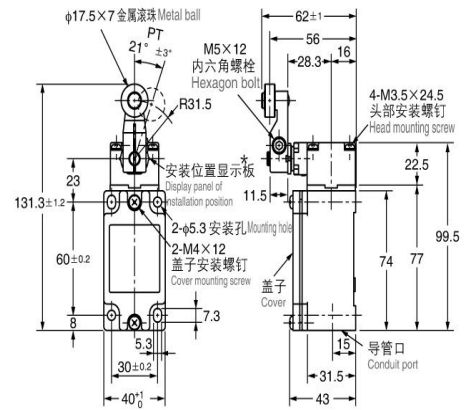


## 外观和尺寸 Appearance and Dimension

### C4B-4111N

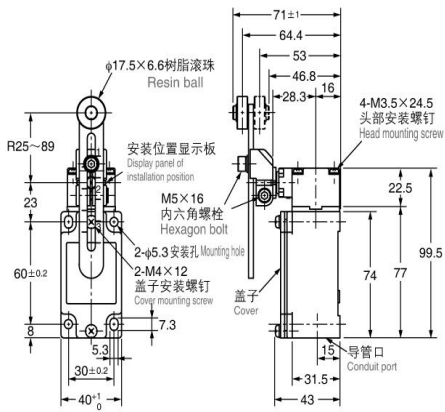


### C4B-4115N

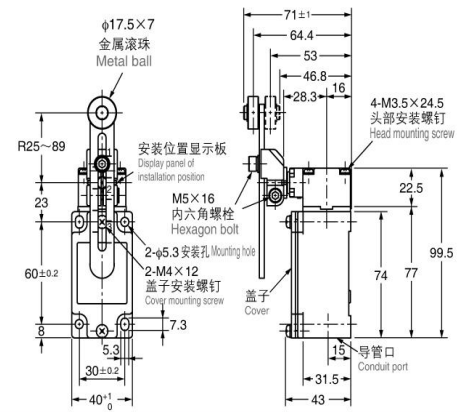


## 外观和尺寸 Appearance and Dimension

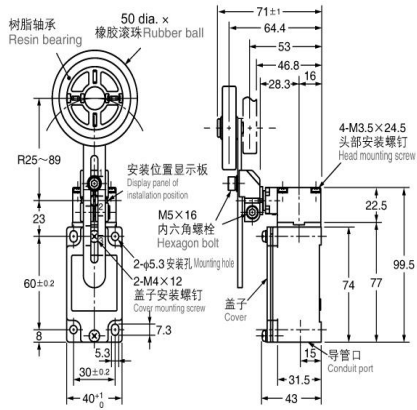
### C4B-4116N



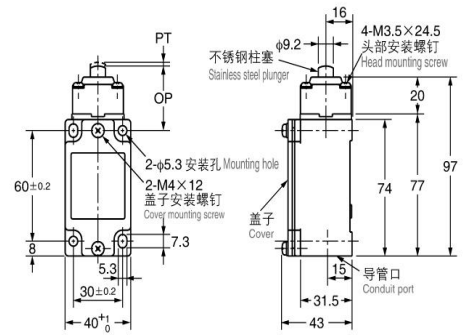
### C4B-4112N



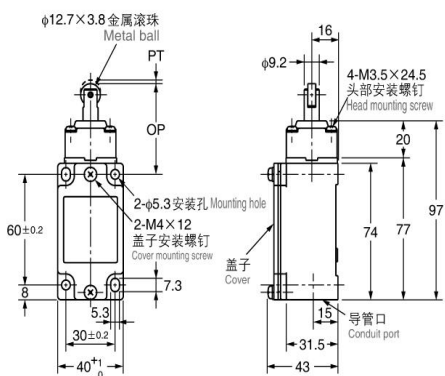
### C4B-4118N



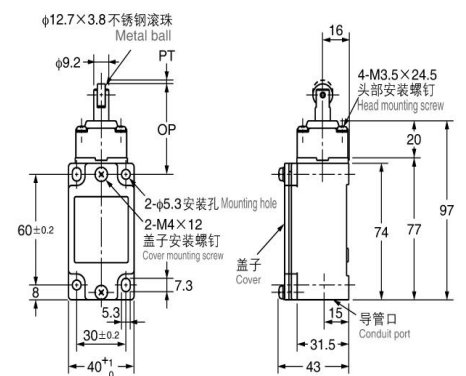
### C4B-4170N



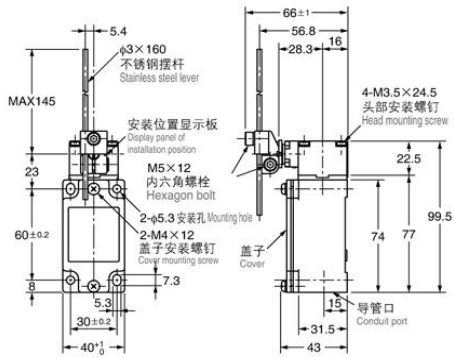
### C4B-4171N



### C4B-4172N



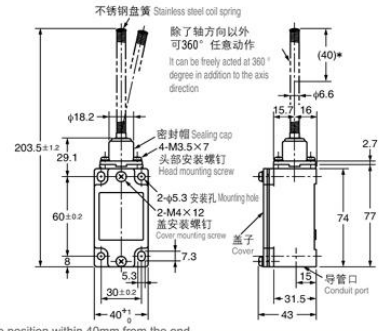
### C4B-4117N



### C4B-4181N



结构上不是安全限位开关。为一般限位开关  
If the switch is not safety limit switch in structure, it is common limit switch

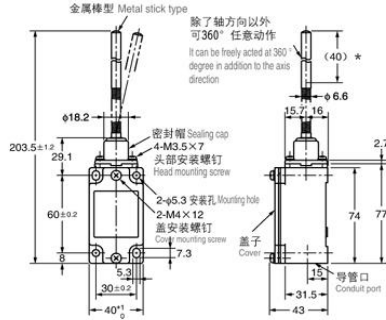


应该设定在离端部40mm的位置内触及挡块  
It should be set that the stopper is touched at the position within 40mm from the end

### C4B-4186N



结构上不是安全限位开关。为一般限位开关  
If the switch is not safety limit switch in structure, it is common limit switch

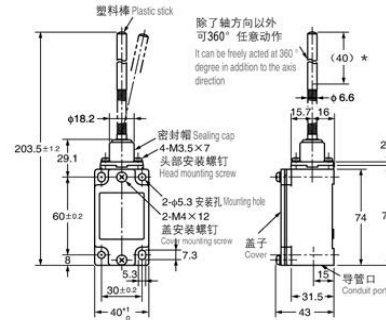


应该设定在离端部40mm的位置内触及挡块  
It should be set that the stopper is touched at the position within 40mm from the end

### C4B-4187N



结构上不是安全限位开关。为一般限位开关  
If the switch is not safety limit switch in structure, it is common limit switch



应该设定在离端部40mm的位置内触及挡块  
It should be set that the stopper is touched at the position within 40mm from the end