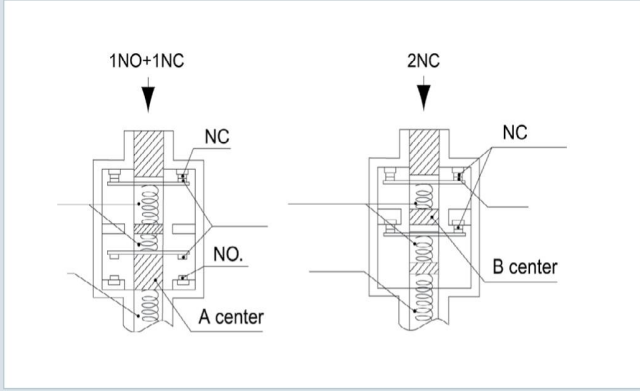


CZ-93 门式安全开关

Safety Key Interlock Switch

强制脱离机构 Required to Have Positive Machine

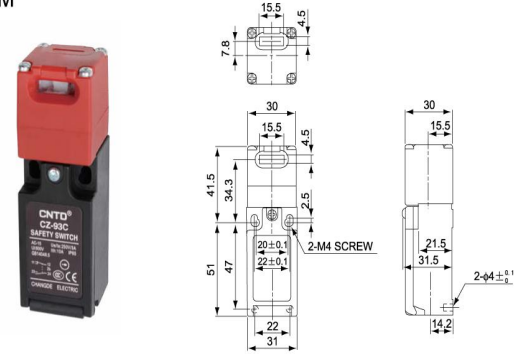


NC接点的强制脱离机构，作用是当接点发生熔着时，下压钥匙机构中心，可将接点强制推开，使回路切断。(EN60947-5-1强制脱离认定)。⊕

When the contact block get fire, press on the middle of the key structure, the NC strict leaving structure can push the contact block a way cut off the movement.

外观和尺寸 Appearance and Dimension

CZ-93CPM

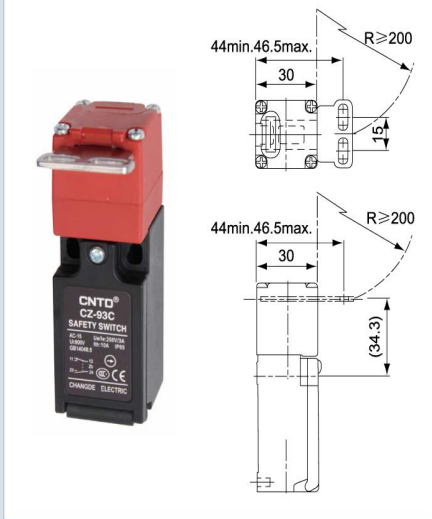


动作特性 Operating Characteristics

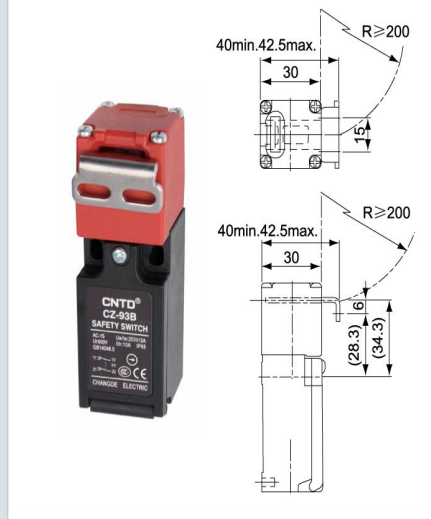
操作插入力量	Key plug in force	最大	14.7N(1,500gf)
操作抽动力	key pull out force	最大	29.42N(3,000gf)
动作距离	Pretravel		6 ± 3mm
总行程	Total travel		(28mm)
强制脱离力	Force required to have positive	最小	58.84N(6,000gf)
强制脱离距离	Positive opening travel	最小	10mm

外观和尺寸 Appearance and Dimension

CZ-93CPM01



CZ-93BPM02

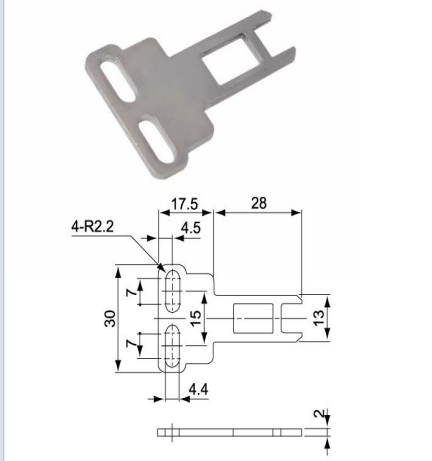


CZ-93CPM03

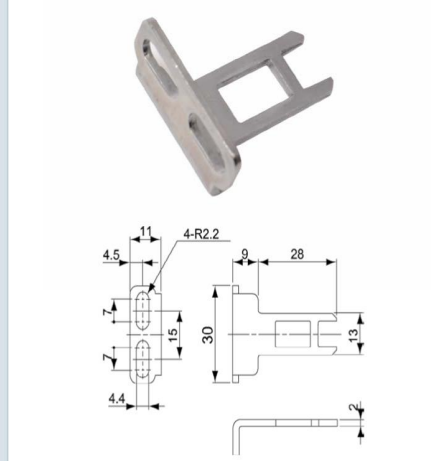


钥匙种类及尺寸 Key type and Dimension

CZ93-K1



CZ93-K2



CZ93-K3

