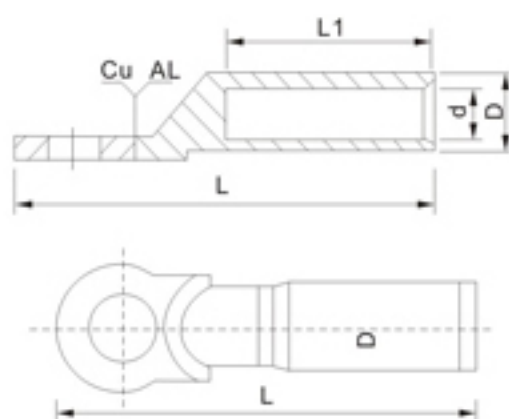


DTL Copper-aluminium Connecting Terminals



DTL-2

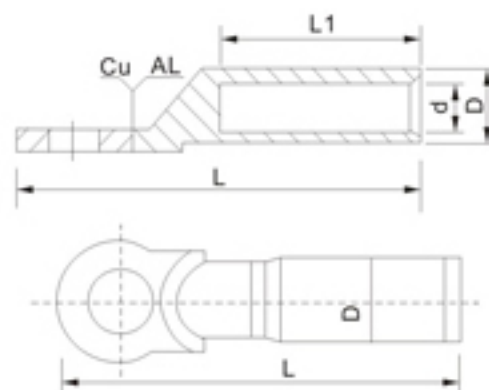


DTL series of copper-aluminum wiring terminals are suitable transition connection of the circular aluminum wires, hemicyclic-sector aluminum wires, power supply cables in the distribution equipment and copper terminals of the electrical equipment. The material of aluminum and copper are that of L3 and T2 respectively. The technology of friction welding is wonderfully adopted. Therefore they have distinguishing features of strong weld intensity, good nature in electrification, resistant galvanic corrosion and long services life.

TYPE	φ	D	d	L	L1
DTL-2-16	13	16	5.5	87	42
DTL-2-25	13	16	6.5	87	42
DTL-2-35	13	16	8	87	42
DTL-2-50	13	20	9	87	43
DTL-2-70	13	20	11	87	43
DTL-2-95	13	20	12.5	87	43
DTL-2-120	13	25	13.5	111	60
DTL-2-150	13	25	15.5	111	60
DTL-2-185	13	32	17.5	116	60
DTL-2-240	13	32	19.5	116	60
DTL-2-300	13	34	22.5	120	62



DTL-1



TYPE	φ	D	d	L	L1	B
DTL-1-10	8.5	10	6	68	28	16
DTL-1-16	8.5	11	6	70	30	16
DTL-1-25	8.5	12	7	75	34	18
DTL-1-35	10.5	14	8.5	85	38	20.5
DTL-1-50	10.5	16	9.8	90	40	23
DTL-1-70	12.5	18	11.5	102	48	26
DTL-1-95	12.5	21	13.5	112	50	28
DTL-1-120	14.5	23	15	120	53	30
DTL-1-150	14.5	25	16.5	126	56	34
DTL-1-185	16.5	27	18.5	133	58	37
DTL-1-240	16.5	30	21	140	60	40
DTL-1-300	21	34	23.5	160	65	50
DTL-1-400	21	38	27	170	70	50
DTL-1-500	21	47	29	225	75	60
DTL-1-630	-	54	35	245	80	80
DTL-1-800	-	60	38	270	90	100