

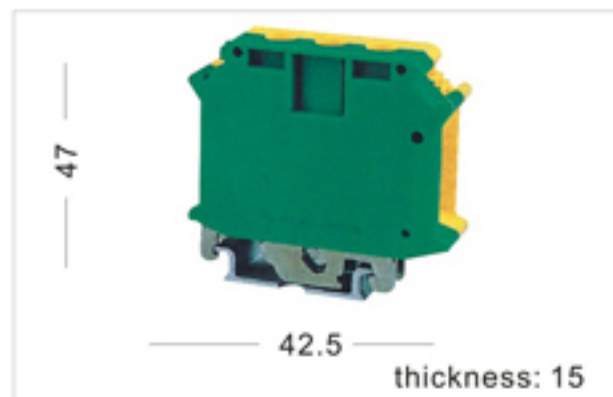
JD/IN Dinrail Terminal Blocks



DSU2UK 3JD (USLKG 3)
solid wire (mm²) 0.2-4
stranded wire 0.2-2.5
IEC 60947-7-2
current: 34A

DSU2UK 5JD (USLKG 5)
solid wire (mm²) 0.2-4
stranded wire 0.2-4
IEC 60947-7-2
current: 34A

DSU2UK 6JD (USLKG 6)
solid wire (mm²) 0.2-10
stranded wire 0.2-6 I
IEC 60947-7-2
current: 37A



DSU2UK 10JD (USLKG 10)
solid wire (mm²) 0.2-4
stranded wire 0.2-2.5
IEC 60947-7-2
current: 34A

DSU2UK 16JD (USLKG 16)
solid wire (mm²) 0.2-4
stranded wire 0.2-4
IEC 60947-7-2
current: 34A

DSU2UK 35JD (USLKG 35)
solid wire (mm²) 0.2-10
stranded wire 0.2-6 I
IEC 60947-7-2
current: 37A



Outline Mounting dimensions



Model	Spec.	Dimensions				Packing
		A	B	C	D	
IN12BK	2P 2MM 20A	40	30	20	8	30 pcs
IN13SBK	3P 2MM 20A	40	30	20	6.7	20 pcs
IN20BK	3P 3.5MM 30A	40	30	25	9.7	20 pcs
IN30BK	3P 8MM 50A	45	34	35	12.2	10 pcs
IN411S	1P 14MM 60A	45	34	43	14	30 pcs
IN60BK	1P 22MM 90A	56	38	16	17	10 pcs
IN100K	1P 38MM 130A	75	45	32	24	6 pcs
IN200K	1P 100MM 240A	86	57	39	31	3 pcs