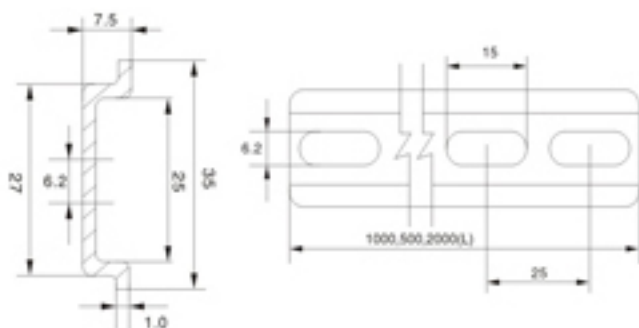


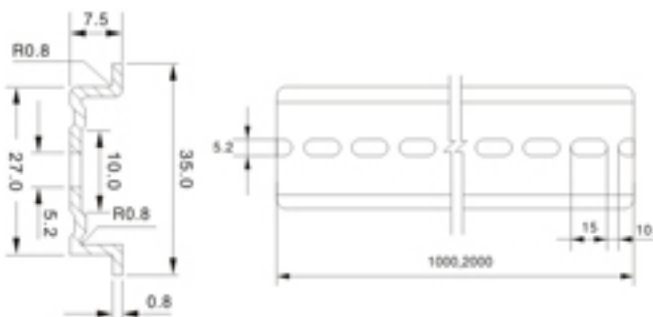
Din Rail



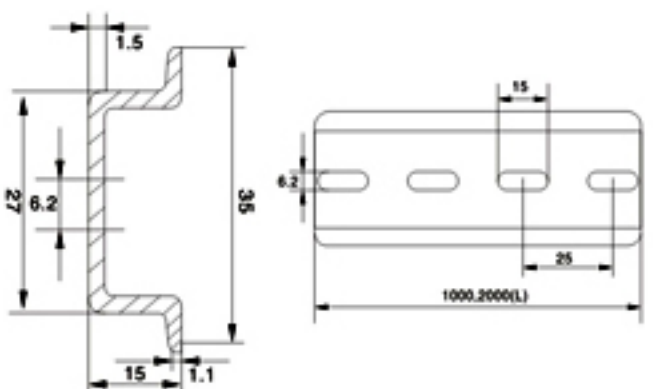
HD-8500



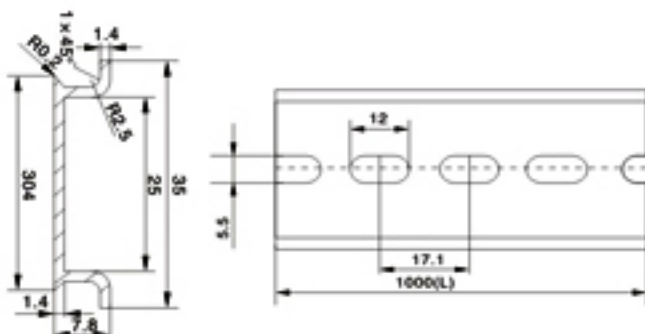
HD-9600



HD-8700



HD-5600



| Type | thickness | material |
|-------------------|-----------|----------|
| HD-8500 | 1.0mm | steel |
| hole size option. | | |
| 6.2/15 | 5.2/25 | |
| length option. | | |
| 1M | 2M | |

| Type | thickness | material |
|-------------------|-----------|----------|
| HD-9600 | 0.8mm | Steel |
| hole size option. | | |
| 5.2/15 | | |
| length option. | | |
| 1M | 2M | |

| Type | thickness | material |
|-------------------|-----------|----------|
| HD-8700 | 1.5mm | steel |
| hole size option. | | |
| 6.2/15 | 5.2/15 | |
| length option. | | |
| 1M | 2M | |

| Type | thickness | material |
|-------------------|-----------|----------|
| HD-5600 | 1.0mm | Aluminum |
| hole size option. | | |
| 5.2/15 | | |
| length option. | | |
| 1M | 2M | |