

Plastic Junction Box

Water-proof junction boxes

Plastic junction boxes with different shapes and dimensions, designed for cable lines extension or tapping at cable installations laying. manufactured of ABS material openings for inlet-outlet conductors, firmed with rubber stoppers to provide the corresponding IP code, chemical, thermal and UV rays wear resistance, mounted directly on the walls with crews.

Documentation corresponding to the product:

Standard: EN 60670-1

Technical data

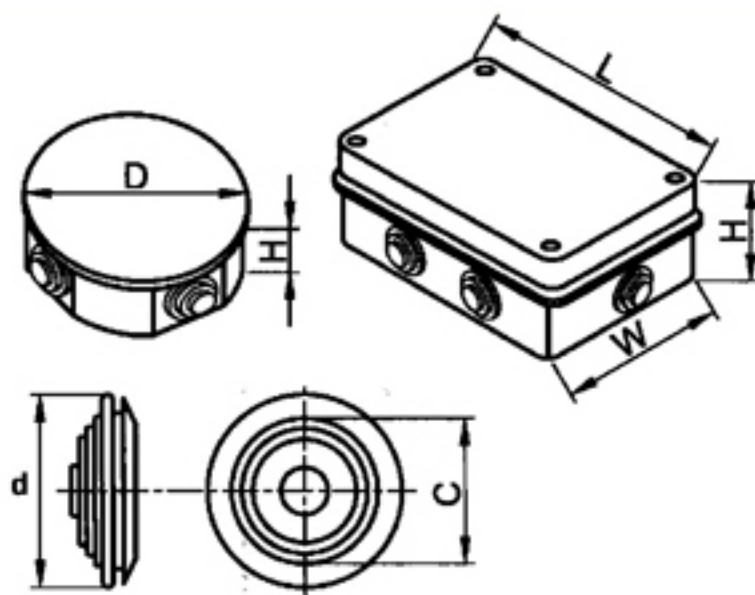
* Rated voltage: up to 1000V

* Material: ABS

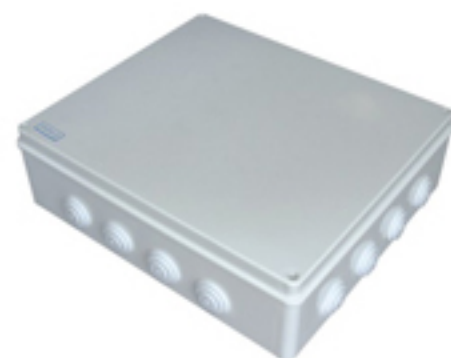
* IP rating: IP 44/65

Mounting:

* vertically to a flat surface



box type	box dimensions(mm)				gaskets dimensions(mm)		IP rating
	D	L	W	H	d	c	
WB50/50	50	-	-	50	22.5	17	44
WB80/50	80	-	-	50	22.5	17	44
WB85/85/50	-	85	85	50	22.5	18.5	44
WB100/100/70	-	100	100	70	30	23	54
WB150/110/70	-	150	110	70	28	23	54
WB150/150/70	-	150	150	70	35	29	54
WB200/100/70	-	200	100	70	35	29	54
WB200/155/80	-	200	155	80	35	29	54
WB255/200/80	-	255	200	80	35	29	54
WB300/250/120	-	300	250	120	35	29	54
WB400/350/120	-	400	350	120	35	29	54



IP65 200x155x80

IP65 255x200x80

IP65 300x250x120

IP65 400x350x120