

MES Current Transformer

The MES series of current transformer are convenient for mounting in many ways .Most current transformer need the special mounting and the MES series used the mounting of DIN typing without a lot of times .The protective cover for the terminal block used the switching device with Safety and quick.



MES-62/20B



MES-62/20



MES-62/30



MES-62/40



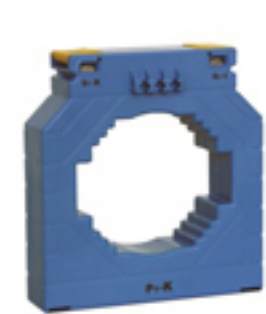
MES-80/30



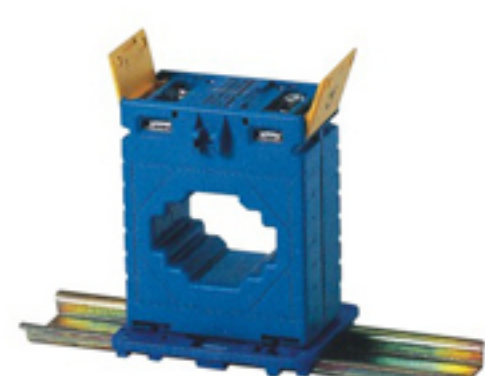
MES-80/40



MES-100/60

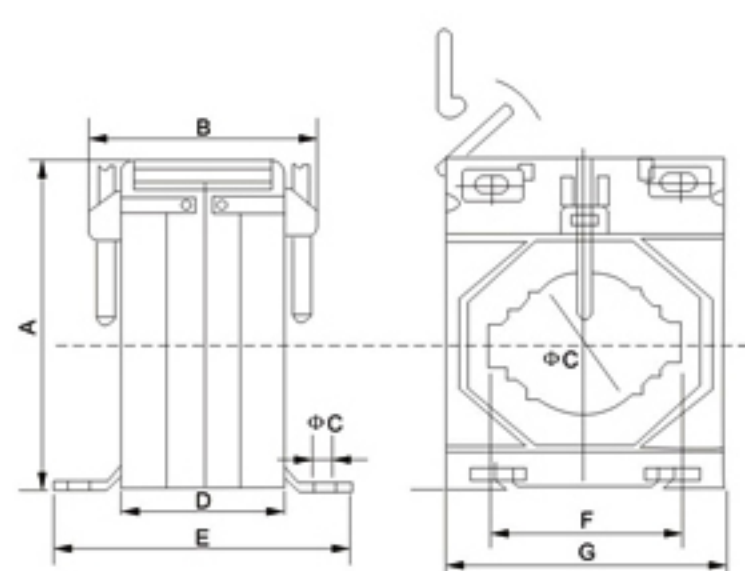


MES-145/100



Dimension of case[mm]

Model	A	B	C	D	E	F	G
MES-62/20B	81	47	20B	35	71	20B	62
MES-30/20	81	47	20	35	71	20	62
MES-62/30	81	47	30	35	71	31	62
MES-62/40	81	47	30	35	71	41	62
MES-89/30	88	52	30	41	77	31	80
MES-89/40	88	52	30	41	77	41	80
MES-100/60	117	57	50	184	77	61	101
MES-145/100	115	53	86	38	74	101	145



Mes Guide Rail Type CT:

Primary current:5A-3000A

Secondary current:5A,1A

Standard approval :VDE0414,BS7626,IEC44-1

Maximum voltage :0.72/3KV

Frequency:50-60Hz

Rated load:2.5VA,5VA,10VA,15VA

Class:0.5,1.0

Short-time thermal current:1 th=60 × 1h

Rated security coefficient:FS<5

Type	Rated Current(A)		Rated Power(AV)			
			Class:0.5		Class:1.0	
MES-62/20B	5/5	40/5	2.5	2.5	5	5
	10/5	50/5	2.5	2.5	5	5
	15/5	60/5	2.5	2.5	5	5
	20/5	75/5	2.5	2.5	5	5
	25/5	100/5	2.5	2.5	5	5
	30/5	150/5	2.5	2.5	5	5
MES-62/20	30/5	80/5	-	1.5	1	3
	40/5	100/5	-	2	1	3.75
	50/5	150/5	1	2.5	2	5
	60/5	200/5	1	3	2	5
	75/5		1.5		3	
MES-62/30	30/5	75/5	-	-	1	1.5
	40/5	100/5	-	1.5	1	2.5
	50/5	150/5	-	2	1	3
	60/5	200/5	-	2.5	1.5	5
MES-62/40	60/5	200/5	-	2.5	1	5
	75/5	250/5	-	3	1	5
	100/5	300/5	1	5	2	7.5
	150/5		1.5		2.5	
MES-80/30	30/5	100/5	-	-	1	2.5
	50/5	150/5	-	1.5	1	5
	60/5	200/5	-	2.5	2	5
	75/5			5		7.5
MES-80/40	100/5	300/5	1.5	5	2.5	15
	150/5	400/5	2.5	10	5	15
	500/5	500/5	5	10	5	15
	250/5			10	5	
MES-100/60	600/5	1000/5	15	15	20	20
	800/5	1200/5	15	15	20	20
MES-145/100	1000/5	1600/5	15	15	30	30
	1200/5	2000/5	15	15	30	30
	1500/5	2500/5	15	15	30	30
		3000/5		15	30	